

SHENZHEN SHIJING ELECTRONIC CO., LTD.

CRYSTAL UNIT SPECIFICATIONS



Date: August 6, 2013

THIS SPECIFICATION SHEET IS PROVIDED TO:

For specifying specifications of following product:

25.0000MHZ3225
(SHIJING Part Number)

(Your Part Number)

This document contains:

- 1.Electrical Specifications----- Page 2
- 2.Reliability Specifications-----Page 3
- 3.Product Dimensions-----Page 4
- 4.Tape and Reel Dimensions-----Page 5/6

Appendix Attached to this specification sheet is as follows:

Room Temperature Test Data: 0 Pages
TC Test Data: 0 Pages

Prepared By:

CONFIRMED BY:

Checked By:

For future reference, we thank you to confirm the specifications and send one copy back to us.

SHENZHEN SHIJING ELECTRONICS CO,LTD

CRYSTAL UNIT SPECIFICATIONS

● ELECTRICAL PARAMETERS

No.	Characteristic	Limits	Remark
1	Nominal Frequency	25.0000MHZ	
2	Mode of Vibration	Fundamental	
3	Frequency Tolerance	±20ppm	Measure at 25°C±3°C
4	Operating Temperature Range	-20°C~+75°C	
5	Frequency Stability	±20ppm	Over Operating Temperature Range
6	Storage Temperature Range	-40°C~+85°C	
7	Load capacitance	20PF	
8	Equivalent Series Resistance	40Ω max	
9	Drive Level	100μW max	
10	Insulation Resistance	500MΩ	At 100V _{DC}
11	Shunt Capacitance	3pF	
12	Motional Capacitance		
13	Aging Per Year	±2ppm	First Year
14	Resistance Variation vs. Drive Level		
15	Frequenc Variation vs. Drive Level		
16	Package Type	JBS25.0000M	See Page 4

SHENZHEN SHIJING ELECTRONICS CO,LTD

CRYSTAL UNIT SPECIFICATIONS

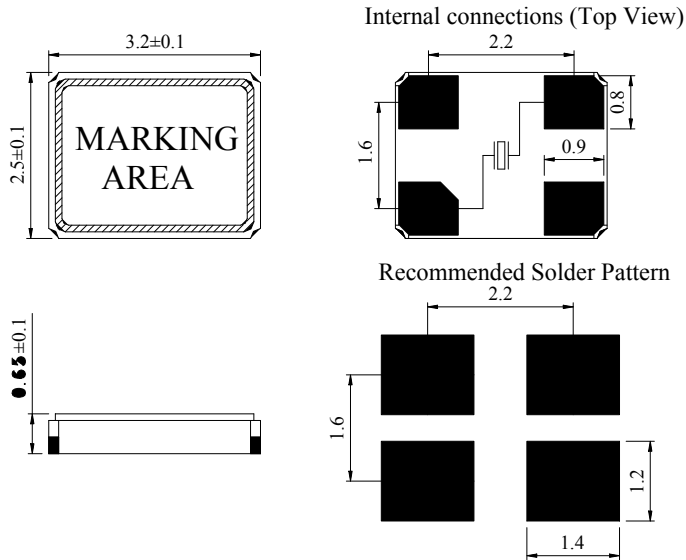
● RELIABILITY SPECIFICATIONS

No.	Test Item	Test Conditions	Reference
1	High Temperature Storage	Temperature: 125℃ ± 10℃ Time: 1000 ± 24 Hours	MIL-STD-883E-1016
2	Temperature Cycle	Temperature 1: -55℃ ± 10℃ Temperature 2: 125℃ ± 10℃ Temperature change between T1 and T2 at soonest Run 15 cycles, maintain T1 and T2 30minutes each in one cycle	MIL-STD-883E-1010.7B
3	Solder Heat Resistance	Pre-heat: 125℃ 60~120 Seconds Solder Temperature: 260℃ ± 10℃ Time: 5 Seconds	MIL-STD-202F 210 E
4	Drop Test	3 Times Free Fall from 75cm height table to 3cm thickness hard wood board	MIL-STD-202F-203B
5	High Temperature, High Humidity Storage	Temperature: 40℃ ± 5℃ Relative Humidity: 90%--95% Time: 1344 Hours ± 24 Hours	MIL-STD-202 F-103B
6	Steam Aging	Temperature: 97℃ Time: 8 Hours 230℃ solder pot to check solderability	MIL-STD-883 C-1008.2B
7	Solderability	Dip in flux 5~10 seconds Temperature: 230℃ ± 10℃ Time: 5 Seconds	MIL-STD-883E 2003
8	Aging	Temperature: 85℃ ± 5℃ Time: 250 ± 12Hours	MIL-STD-202 F-108A B
9	Thermal Shock	Temperature 1: -55℃ ± 10℃ Temperature 2: 125℃ ± 10℃ Temperature change between T1 and T2: 5 seconds 10 cycles, maintain T1 and T2 for 30 minutes each in one cycle	MIL-STD-883E-1011.9B
10	Vibration	Frequency Range: 10Hz~1000Hz Amplitude: 1.5mm 40mins in each direction, total 120mins	MIL-STD-202F-201A

SHENZHEN SHIJING ELECTRONIC CO, LTD.

CRYSTAL UNIT SPECIFICATIONS

- Outline Dimensions (unit: mm)



- MARKING

First Line: Frequency in MHz (6 digitals include dot)

Second Line:

Jan	Feb	Mar	Apr	May	Jun	Jul	Aut	Sept	Oct	Nov	Dec
A	B	C	D	E	F	G	H	J	K	L	M

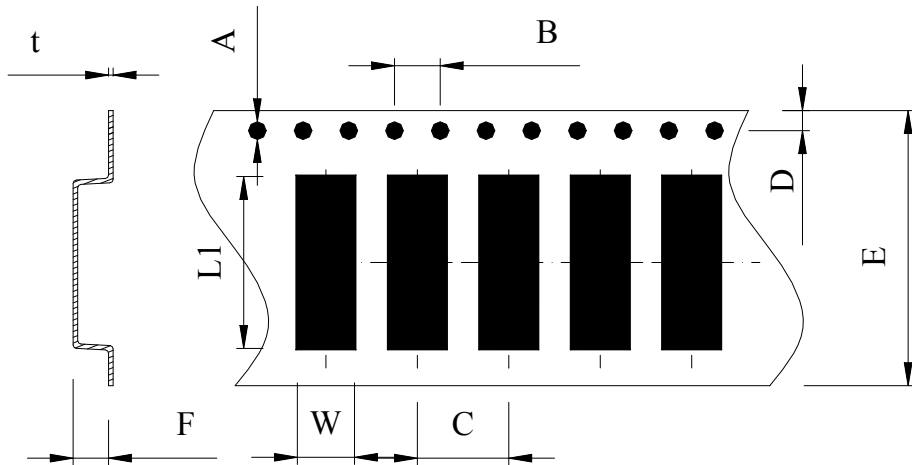
FOR EXAMPLE: JBS25.0000M

SHENZHEN SHIJING ELECTRONIC CO,LTD.

CRYSTAL UNIT SPECIFICATIONS

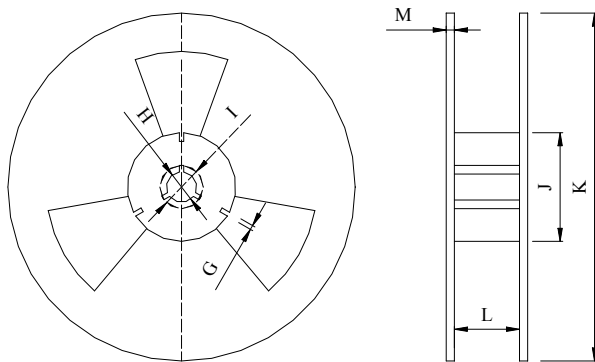
● PACKAGE

Tape Dimensions(unit : mm)



A	B	C	D	E	F	L1	W	t
1.50	4.0	4.0	1.75	8.0	1.0	3.6	2.9	0.3

Reel Dimensions(unit: mm)



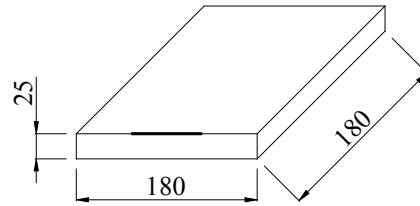
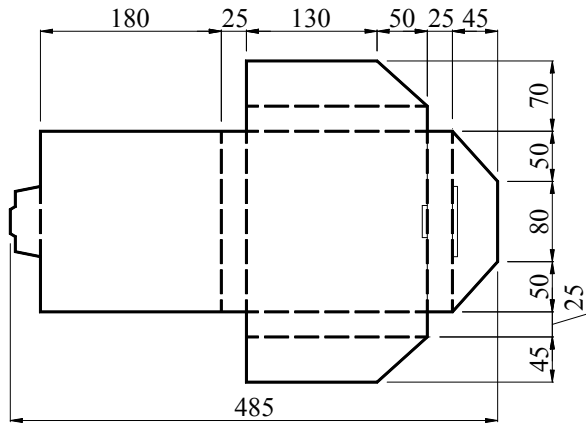
G	H	I	J	K	L	M
2.5	13.5	21.6	60.0	180	9.5	1.6

*3000pcs/Reel

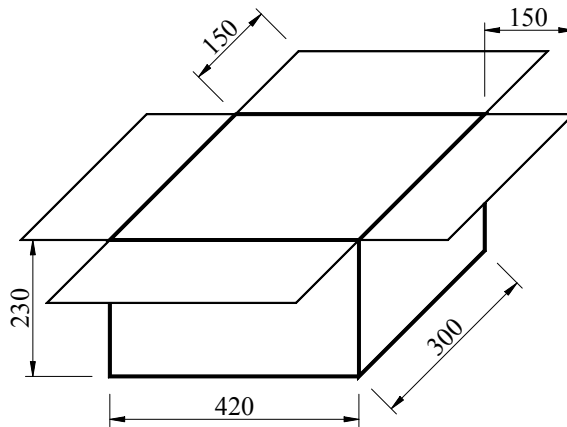
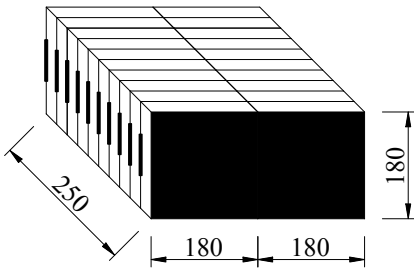
SHENZHEN SHIJING ELECTRONIC CO, LTD.

CRYSTAL UNIT SPECIFICATIONS

Carton Dimension (unit : mm)



1 reel = 1 Inner box



20 Inner boxes = 1 Carton

40kpcs = 1 Carton